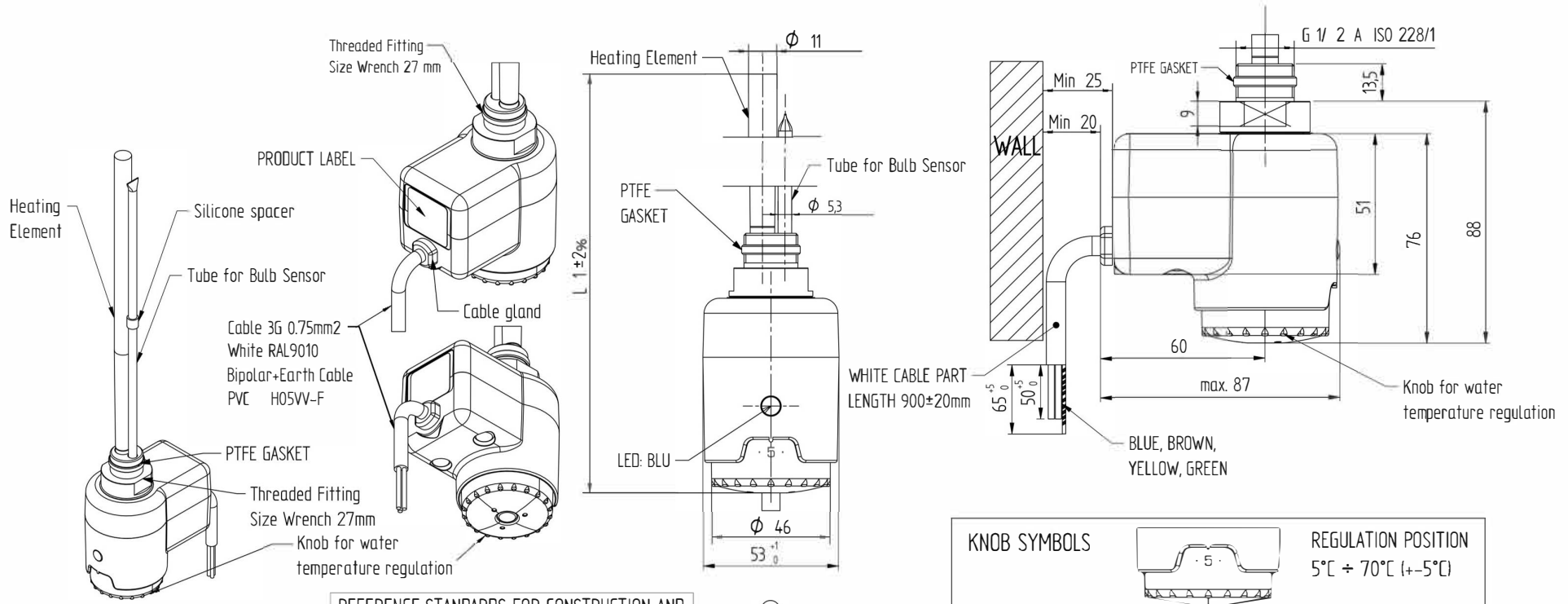
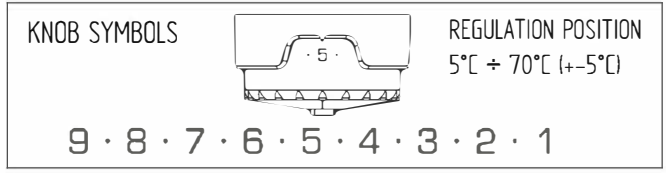
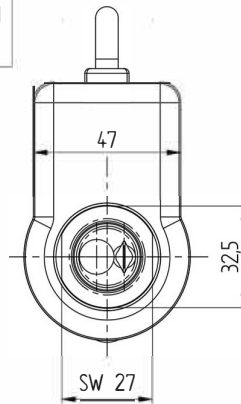


Type E Element Technical Drawing



REFERENCE STANDARDS FOR CONSTRUCTION AND ELECTRICAL TESTING: CEI EN 60335-1

- INSULATION: CLASS I
- EXIT CABLE: PVC CABLE 3G (WITHOUT PLUG) 950mm LONG
- Degree of protection provided by enclosure: IPX4



APPLICATION

- Heating element only for use in a towel rail filled with water or water and glycol mixture.
- Assembling: the heater must be assembled vertically from the bottom to the top of the towel rail.
- Do not alter any of the factory fitted electric connections. The substitution of electric connections is not admitted.
- In the case of any damage to the electric connections, the heater must be sent back to the supplier or to its quality service.
- For heating elements without feeding plug, there must be a device which assures disconnection from the net, with a 3mm opening distance of the contacts.
- Residual current circuit breaker (RCCB) should be fitted in line with the current IEE regulations.
- Maximum heating element surface temperature: 100°C.
- Un-installation: after disconnecting, the product must not be reused. Replace the product with a new one.

Eastbrook

Eastbrook Road, Gloucester GL4 3DB

Technical Helpline : 01452 317890

Mon - Fri / 8am - 5pm

Email : technical@eastbrookco.com